

SX - SH limit switch box series

Limit switch box designed for explosionproof applications.

Features

- Twin shaft design
- Metallic self lubricating bushings
- Aluminium enclosure with thick protective powder coating
- Up to 3 cable entries either metric or imperial
- Multiple indicator options
- Easy wiring through the terminal PCB board

Approvals

ATEX, IECEx, EAC, CCOE, INMETRO:

Ex II 2GD Ex db IIB T4/T5/T6 Gb (SX series)
 Ex II 2GD Ex db IIB + H2 T4/T5/T6 Gb (SH series)
 Ex tb IIIC T135/T100/T85°C Db
 Ta: -20 °C ≤ Ta ≤ 105 °C / 75 °C / 60 °C

UL:

Class I Division 1 Groups C, D Division 2 Groups A, B, C, D
 Class II Division 1 Groups E, F, G Division 2 Groups F, G

SIL certificate: Up to SIL 3 certified by TÜV

Protection rating: IP 66 / 67

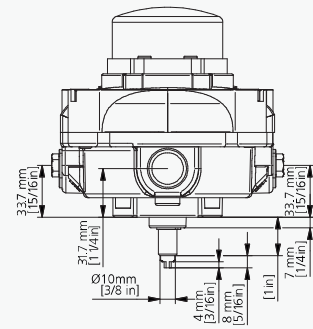
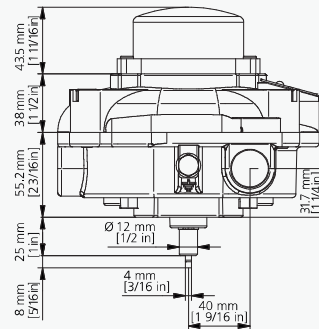
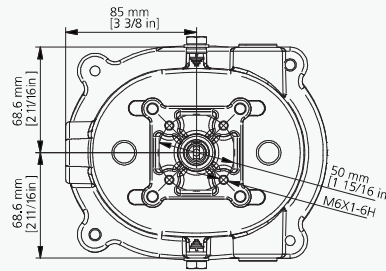
Nema 4 4X on request

Temperature:

-20 to +80 °C (-4 to +176 °F) standard temperature range



SX limit switch box



SX - SH limit switch box series

Nomenclature

SX N1 2 0 0 - 1 0 X 3 2 A 4

Box

SX = Exd IIB applications
SH = Exd IIB+H2 applications

Switch

01 = SPDT elec.mech. switch silver plated contacts
1F = DPDT elec.mech. switch silver plated contacts
C4 = SPDT magnetic hermetically sealed reed switch
C8 = DPDT magnetic hermetically sealed reed switch
N1 = SPDT magnetic hermetically sealed silver plated snap acting contacts
N4 = DPDT magnetic hermetically sealed silver plated snap acting contacts
32 = Inductive proximity sensor model NBN4-12GM40-Z0 2 wire
73 = Inductive proximity sensor model NBB2-V3-E2, 3 wire PNP NO
T0 = 4-20 mA position transmitter
H0 = 4-20 mA HART position transmitter Atex EEx ia IIC T6 / T4 certified
P0 = Partial Stroke Test device with magnetic key
See additional information and options on pages 14-19

Switch Quantity

2 = 2 switches
4 = 4 switches (on Exd IIB certification)

Terminals

0 = Screw type terminals with sov connection
A = Screw type terminals
E = Cage clamp terminals with sov connection (for low temperature)
D = Cage clamp terminals (for low temperature)

Coating

0 = Black powder coating

Cable Entries

1 = 2 cable entries 1/2" NPT
2 = 2 cable entries M20x1.5
3 = 2 x 1/2"NPT + 1 x 3/4"NPT cable entries

Visual Position Indicator

0 = 3D plastic visual position indicator red and green
2 = 3-position indicator (T-port 180 deg. Blocked centre)
A = 3-position indicator (L-port)
B = 3-position indicator (T-port 180 deg.)
T = 3D stainless steel position indicator
See additional information and options on page 11

Approval

X = ATEX and IECEx certified box
D = ATEX and IECEx certified box with SIL2 approval
E = ATEX and IECEx certified box with SIL3 approval
G = EAC certification for Russian market
I = INMETRO certification for Brazilian market
N = NEPSI certification for Chinese market
J = CCOE certification for Indian market
U = UL certified box
W = Weather proof
* SIL2 / SIL3 options available on request
See additional information and options on page 13

Marking

0 = Standard location
3 = Certification marking: Ex II 2GD Exd IIB
4 = Certification marking: Ex II 2GD Exd IIB + H2
7 = cULus Class 1/2 Div 1
8 = cULusClass 1/2 Div 1/2 (with switches code: C4, C8, N1, N3)
See additional information and options on page 13

IP Protection rating

1 = Weather proof IP 66/67
7 = Nema 4 and 4X

Temperature

A = Ambient temperature -20 to +80 °C (-4 to +176 °F)
E = -25 to +80°C (-13 to +176 °F) UL approval only

Material

3 = Die cromated aluminium heavy duty body and cover