

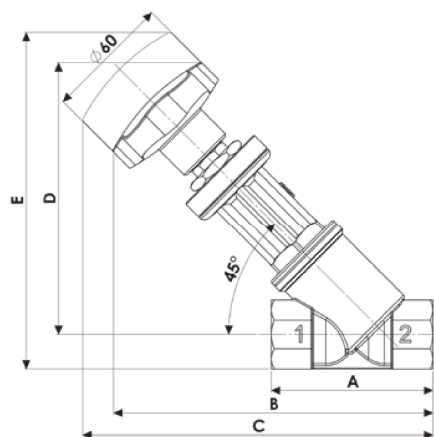
Manual Angle Seat Valve G 1/2" to 2" – Bronze (CG) & Stainless Steel (PG)

Specifications	
Function Flow over / under seat	Type CG / PG
Media	Water, oil, air, aggressive media, steam ¹
Media Temperature	-10 °C to +180 °C
Ambient Temperature	-10 °C to +60 °C
Body Material (CG)	Bronze (CB491K EN1982)
Bonnet Material (CG)	Brass (CW617N EN12165)
Body Material (PG)	Cast AISI 316L (CF3M), see page 39
Bonnet Material (PG)	Cast AISI 316L (CF3M), see page 39
Seal Material	PTFE



Options Available
NPT connection (e.g. code PN2070TY00)

Dimensions & Weights		DN15	DN20	DN25	DN32	DN40	DN50
G connection	[ISO 228G]	1/2"	3/4"	1"	1 1/4"	1 1/2"	2"
A	[mm]	65	75	90	110	120	150
B	[mm]	142	148	163	175	180	198
C	[mm]	150	155	172	188	193	212
D	[mm]	121	126	135	143	148	157
E	[mm]	141	150	165	181	189	205
Weight	[kg]	0.75	0.80	1.20	1.80	2.10	3.10



Valve	Body Connection	DN	Flow Rate Kvs	Working Pressure ¹		Flow Direction
				Min.	Max.	
Code	[ISO 228G]	[mm]	[l/min]	[barg]	[barg]	—
CG2050TW00	1/2"	15	87	0	25	1 ↔ 2
CG2060TX00	3/4"	20	164	0	25	1 ↔ 2
CG2070TY00	1"	25	260	0	25	1 ↔ 2
CG2080TZ00	1 1/4"	32	410	0	25	1 ↔ 2
CG2090TK00	1 1/2"	40	700	0	25	1 ↔ 2
CG2100TJ00	2"	50	916	0	16	1 ↔ 2
PG2050TW00	1/2"	15	87	0	40	1 ↔ 2
PG2060TX00	3/4"	20	164	0	40	1 ↔ 2
PG2070TY00	1"	25	260	0	40	1 ↔ 2
PG2080TZ00	1 1/4"	32	410	0	25	1 ↔ 2
PG2090TK00	1 1/2"	40	700	0	25	1 ↔ 2
PG2100TJ00	2"	50	916	0	16	1 ↔ 2

Note

1. Steam max. working pressure 10 bar (9 barg)